

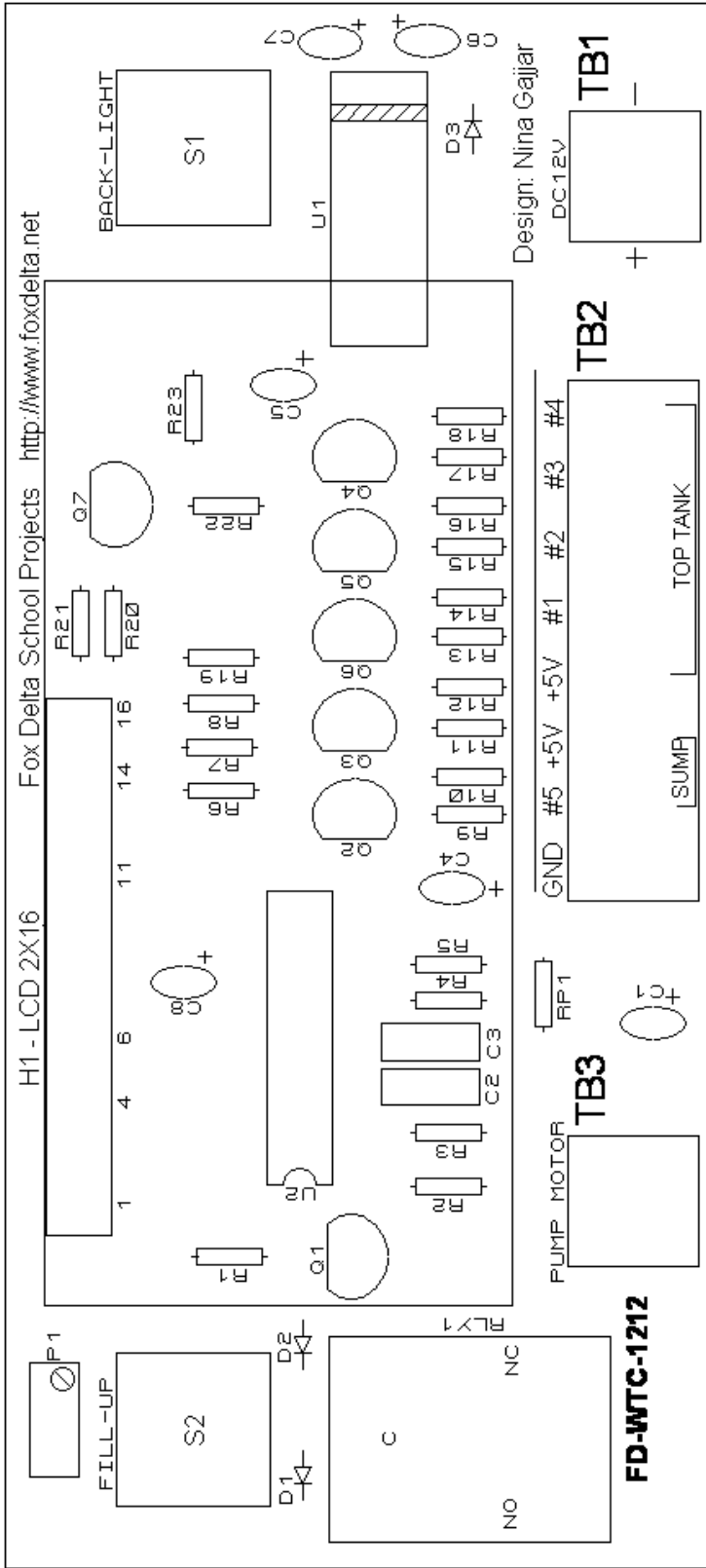
## Schematic, Silk View & Parts List: PIC16F88 Water Tank Pump Controller

Rev 1212

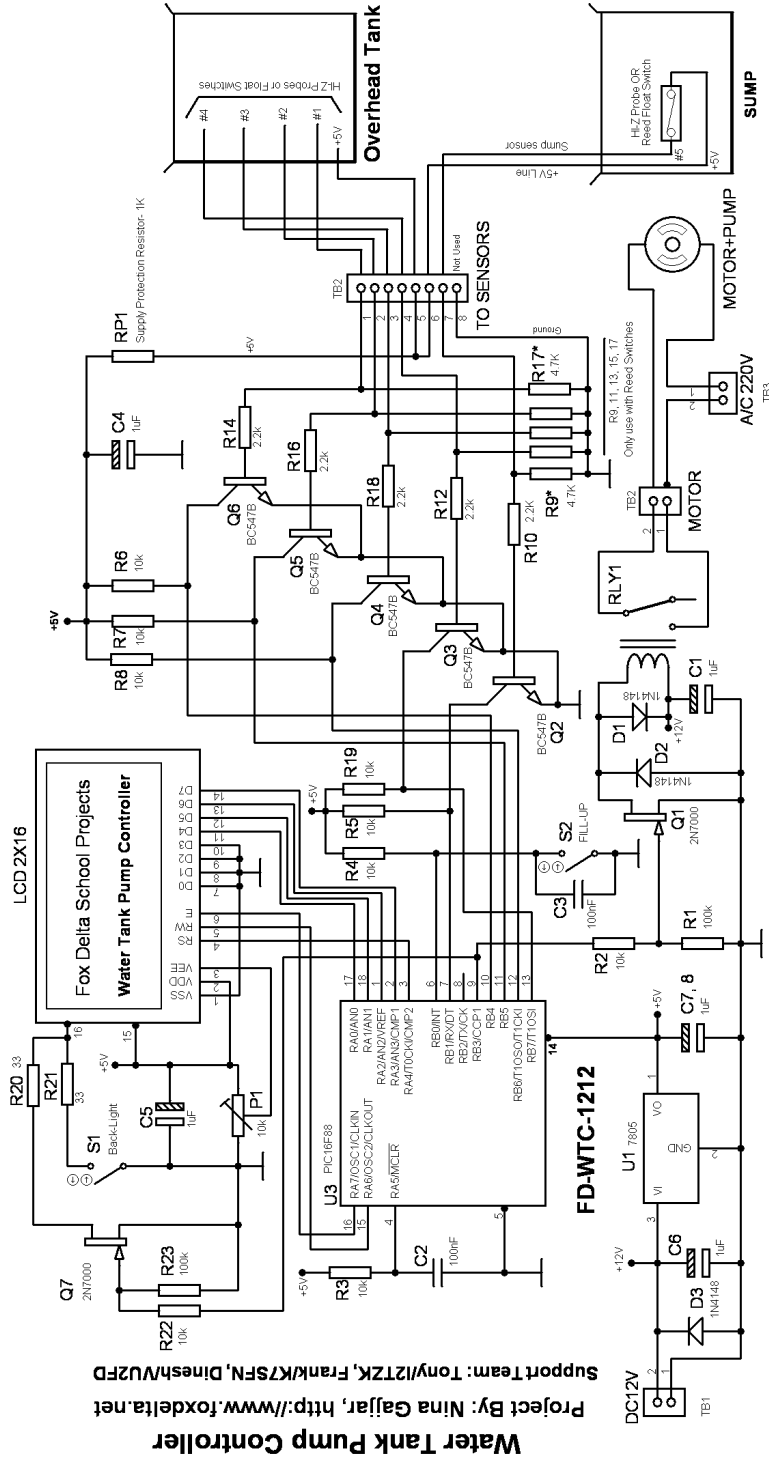
### Water Tank Pump Controller Kit Parts List:

Qty	Check	ID	Part Detail
1		U2	PIC16F88 18DIP (Pre-Programmed)
5		Q2 to Q6	BC547B
1		LCD	2x16 LCD with BL
1		U1	7805
2		Q1, 7	2N7000 FET TO92
1		IC Socket	18 DIP
1		TB1	2PIN SIL Terminal: DC 12V Input
1		TB2	8PIN SIL Terminals: Sensors
1		TB3	2PIN SIL Terminal: Motor
3		D1, 2, 3	1N4148
1		RLY1	OEN61-12V DC Coil
2		S1, S2	12MM Push Buttons Long Shaft
1 Set		LCD Hardware	4xspacers, 8xbolts
1 Set		LCD Connector	16PIN SIL Male + Female
<b>Capacitors</b>			
6		C1, 4, 5, 6, 7, 8,	1uf / 35V Tantalum
2		C2, 3	0.1uF Poly
<b>Resistors</b>			
2		R1, 23	100K
5		R9, 11, 13, 15, 17	4.7K
2		R21, RP1	1K
5		R10, 12, 14, 16, 18	2.2K
2		R20, 21	33 Ohms
9		R2, 3, 4, 5, 6, 7, 8, 19, 22	10K

**Water Tank Pump Controller – 1212 Silk:**



# Water Tank Pump Controller – 1212 Schematic:



Water Tank Pump Controller  
 Project By: Nina Gajjar, <http://www.foxdelta.net>  
 Support Team: Tony/12TZK, Frank/K7SFN, Dinesh/U2FD

Nina Gajjar 18<sup>th</sup> Dec 2012

For more information, please visit: <http://www.foxdelta.net>