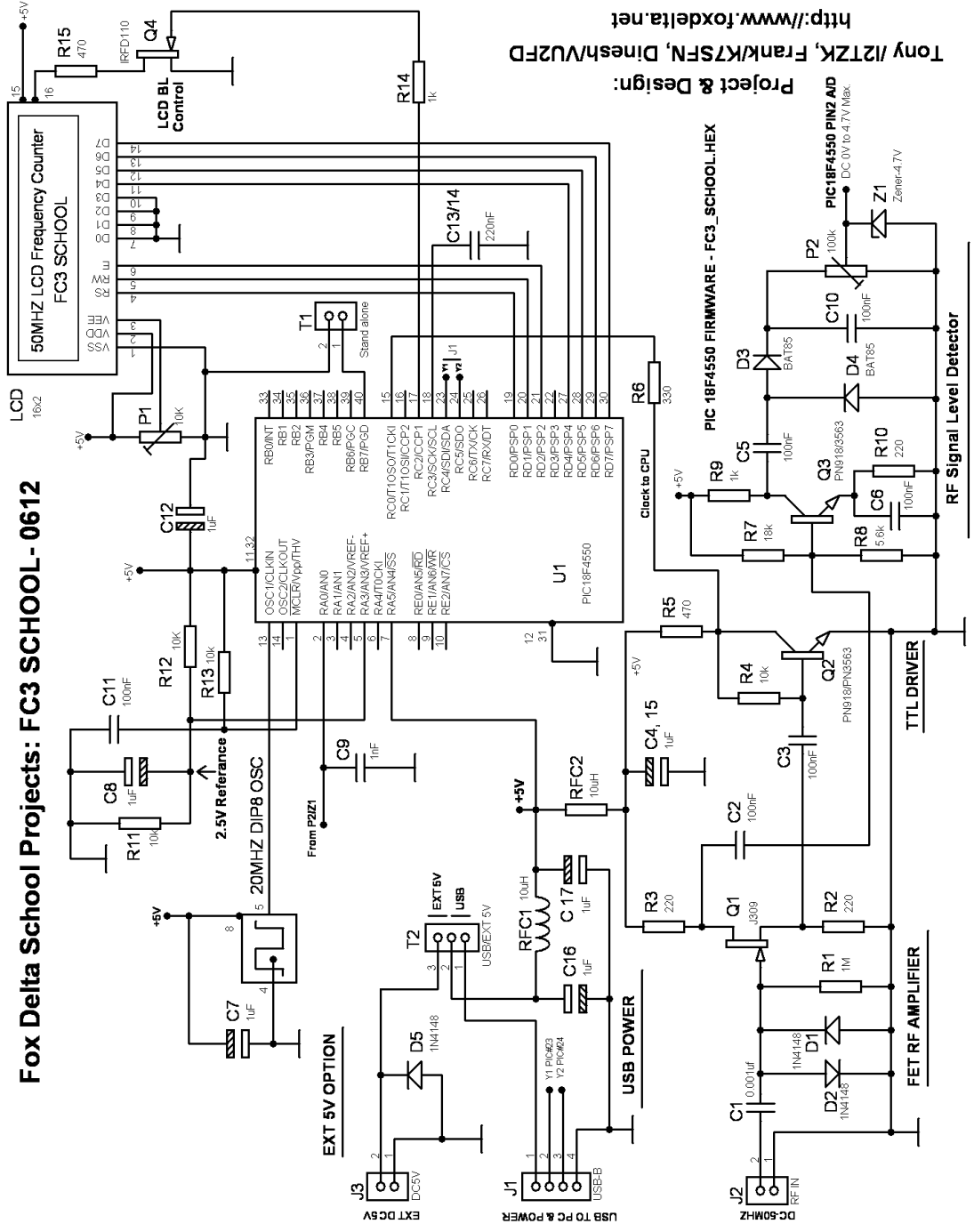


Schematic, Silk View & Parts List: PIC18F4550 50MHZ Frequency Counter

FC3-School-Frequency COUNTER Kit Parts List:

Qty	Check	ID	Part Detail
1		U1	PIC18F4550 40DIP (Pre-Programmed)
1		OSC	20MHZ HALF SIZE OSC
1		LCD	2x16 LCD with BL
1		J1	USB PCB CONNECTOR
1		J2	BNC R/A PCB Connector
1		Q1	J309 FET TO92
2		Q2, 3,	PN918/PN3563 – TO92
1		Q4	IRFD110
1		RFC1, 2	10uH RFC
1		PCB	FC3-School-0612 DSPTH BOARD
1		P1	10K Bourns Preset
1		P2	100K Bourns Preset
1		IC Socket	40PIN DIL For PIC18F4550
1		T1	2 PIN Header (Stand-alone)
1		Z1	4.7V Zener
1		T2	3 PIN Header (USB/EXT +5V Select)
3		D1, 2, 5	1N4148
2		D3, 4	BAT85
1		H1	16PIN Male/Female Header for LCD
Capacitors			
6		C 2, 3, 5, 6, 10, 11,	0.1uF Poly
2		C9, 1	0.001uF Poly
7		C4, 7, 8, 12, 15, 16, 17	1uF Tantalum 35V
2		C13, 14	0.22uF Poly
Resistors			
1		R1,	1M All resistors ¼ W 5%
3		R2, 3, 10	220 ohms
4		R4, 11, 12, 13	10K
2		R5, 15	470 ohms
2		R14, 9	1K
1		R7	18K
1		R8	5.6K
1		R6	330

FC3-School Frequency COUNTER Schematic:



Fox Delta School Projects: FC3 SCHOOL - 0612

Project & Design:
 Tony /I2TK, Frank/K7SFN, Dinesh/V2FD
<http://www.foxdelta.net>

Nina Gajjar. 24th June 2012

For more information, please visit: <http://www.foxdelta.net>