

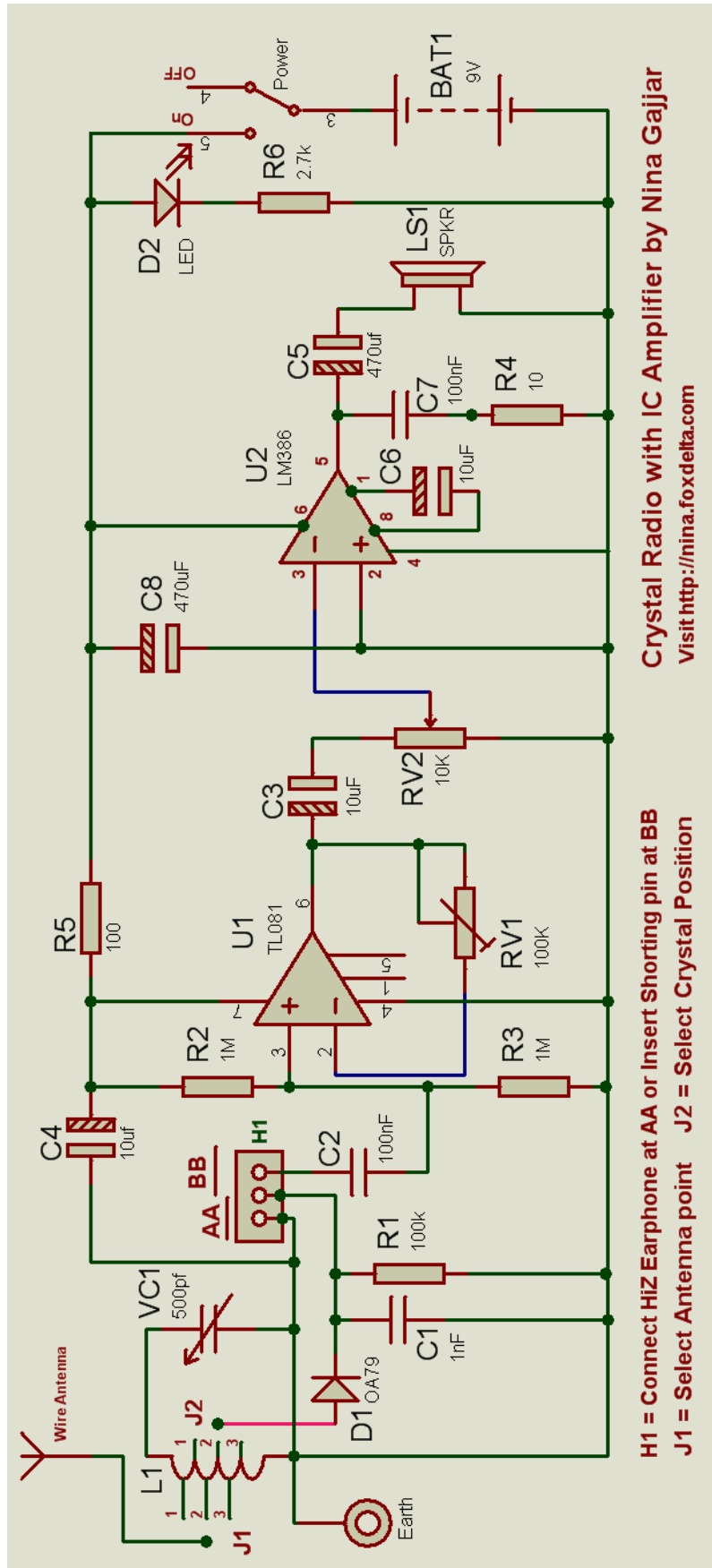


Schematic & Parts List: Crystal Radio with IC Amplifier & Speaker

Crystal Radio Kit Parts List:

- | | |
|---|---|
| 1 | PCB |
| 1 | "Tune" Variable Capacitor = VC1 |
| 1 | Antenna Socket with male antenna pin |
| 1 | Coil Drum with 2 pieces alum posts, 2x bolts & 2x Lugs |
| 1 | Header set (2pin x 6 for Ant & Diode points, 3pin x 1 for H1) |
| 3 | Header shorting pins |
| 2 | 8pin IC sockets |
| 1 | LM386 |
| 1 | LM741 |
| 1 | Speaker |
| 2 | Brass bolts with 4 nuts (Speaker tie-up) |
| 1 | "Volume" RV2 10K Pot with Knob |
| 1 | RV1 Bourns Preset 100K |
| 1 | Battery clip |
| 1 | LED |
| 1 | "Power" Switch |
| 1 | D1 = Diode OA79 |
| 1 | Resistor R1 = 100k |
| 2 | Resistor R2, R3 = 1M |
| 1 | Resistor R4 = 10 ohms |
| 1 | Resistor R5 = 100 ohms |
| 1 | Resistor R6 = 2.7k |
| 2 | Electro Capacitor 470uf (C8, C5) |
| 3 | Electro Capacitors 10uf (C3, C4, C6) |
| 2 | Poly 100nf (C7, C2) |
| 1 | Poly 1nf (C1) |
| 1 | Copper Wire: Enough length for 120 turns on drum |
| 6 | Glass beads for coil winding spacing |

Schematic of Crystal Radio:



Designed by Nina Gajjar.

Visit <http://nina.foxdelta.com/crystal.html> for more details.